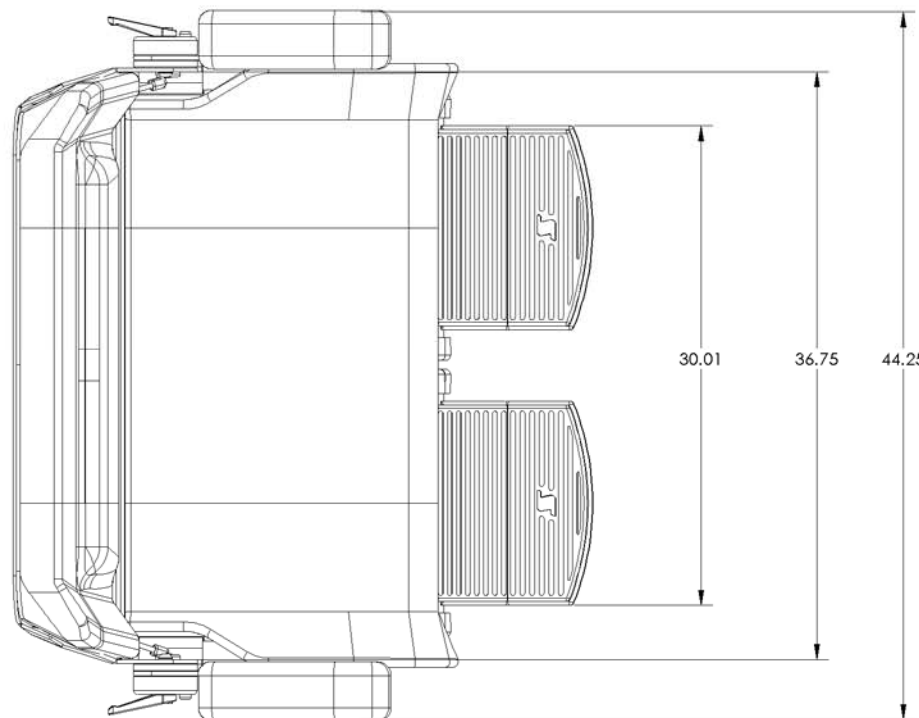


All information contained in this document is property of STIDD Systems, Inc. and shall not be released, performed, displayed, duplicated, used, or disclosed, in whole or in part, for any purpose other than to evaluate a product of STIDD Systems, Inc. No rights are conveyed to the recipient or any other party to use any intellectual property contained in this document in any manner. All recipients shall protect all information in this document as prescribed by DFARS 252.227-7016. The information subject to this restriction is contained in every page of this document.

REVISIONS				
ZONE	REV.	DESCRIPTION	DATE	APPROVED
-	-	INITIAL RELEASE	5/2/2006	A BONCZYK



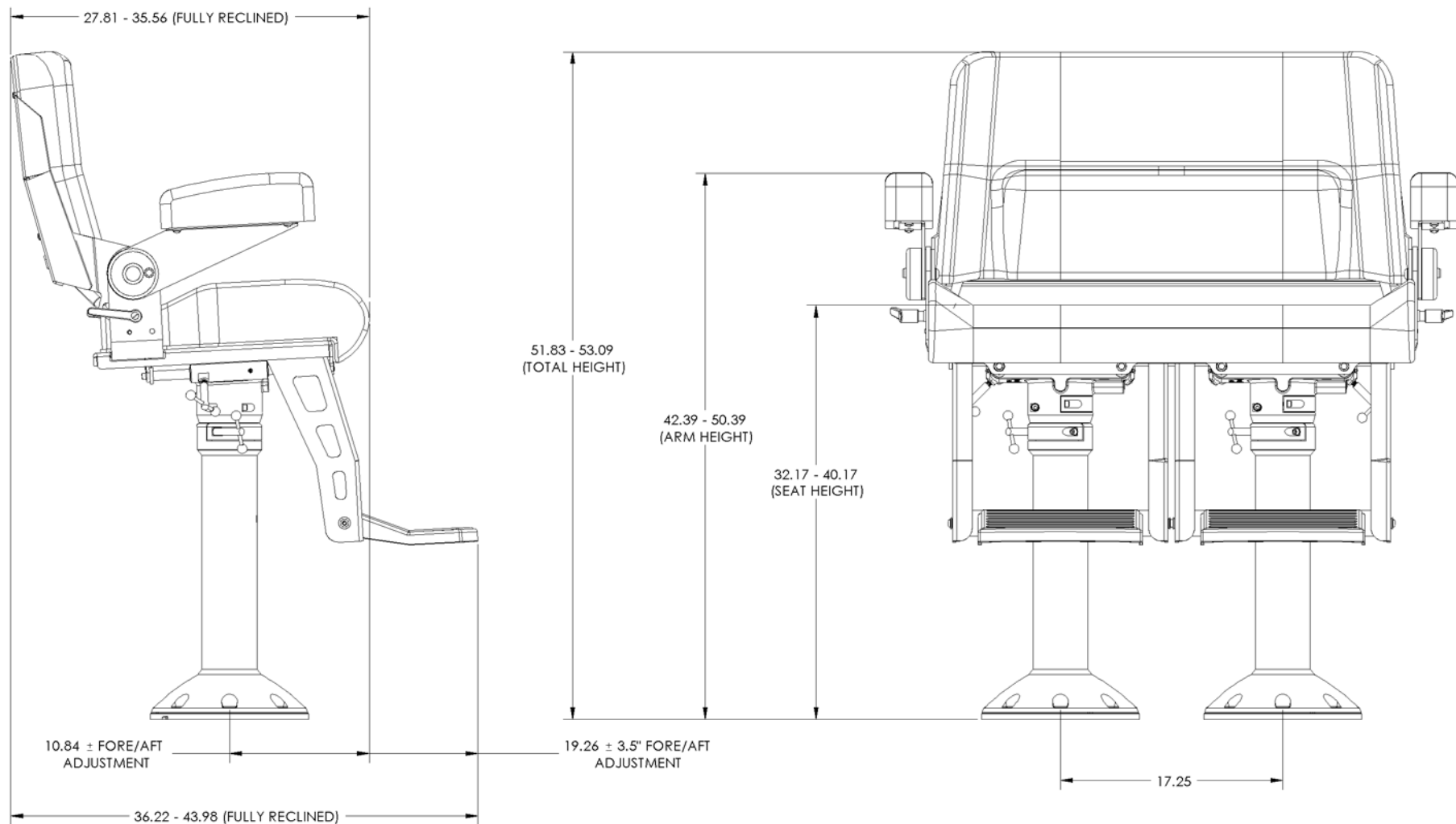
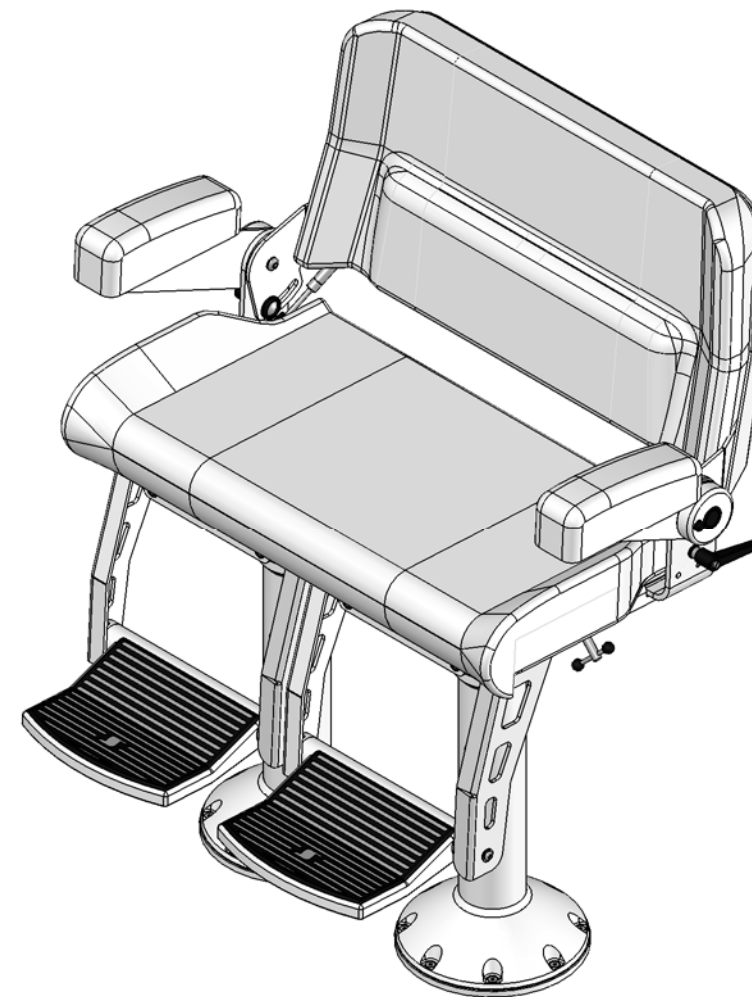
**1200-1X2 SPECIFICATIONS**

**MOUNTING INFORMATION**

- DECK PLATES TO VESSEL: SIXTEEN 3/8" DIA. BOLTS ON TWO 11" DIA BOLT CIRCLES
- DECK PLATES TO PEDESTAL: SIXTEEN 5/16-18 FLAT, SOCKET HEAD BOLTS ON TWO 11" BOLT CIRCLES

**SEAT FEATURES**

- TOTAL OF 7" FORE-AFT ADJUSTMENT
- TOTAL OF 8" HEIGHT ADJUSTMENT
- FULLY RECLINING BACKREST
- FOLDING FOOTREST/ARMRESTS (LOCKING FEATURE ON ARMS)
- NOTE: DRAWING SHOWN WITH A TALL(-1) PEDESTAL



NAME	A BONCZYK	DATE	5/9/2006
UNLESS OTHERWISE SPECIFIED:			
• INTERPRET DWG IAW ANSI Y14.5M			
• DIMENSIONS ARE IN INCHES			
• BREAK ALL SHARP EDGES			
• DRAWING TOLERANCES ARE:			
* ANGLES : 1°			
* 0.XX : 0.01			
* 0.XXX : 0.005			
MATERIAL	N/A	THIRD ANGLE PROJECTION	
WEIGHT (lbs)	153.88		

STIDD SYSTEMS INC.  
220 CARPENTER STREET  
GREENPORT, NY 11944  
USA · (631) 477-2400

TITLE			
1200 SERIES HELM, X2 FOOTREST, -1 TALL PEDESTAL			
SIZE	CAGE CODE	DWG No.	REV
D	0W5E3	1200-1X2	-
DO NOT SCALE DRAWING WORK FROM DIMENSIONS		SCALE: 1:6	SHEET 1 OF 1